



RELATE PLANTER

---

# Harrows®

CHAMPIONS OF SOCIAL SPACES HARROWS.COM.AU

Champions of  
social spaces.



# Introducing Relate

A free-standing planter system with a natural timber exterior and a simple solution for planting and maintaining pot plants. With a pot liner already included, just place your standard nursery pots and create beautiful screening with timber accents.

Configure multiple units alongside each other to create screening and bring biophilia into any space.



Climbing Planter

Option for mesh screen to encourage climbing plants, powder coated in colour of choice.

Low or High Planters

With or without a screen, Relate Planters are available in 2 heights. 400h for a low planter, or 820h for more privacy.

Pot Liners for Easier Plant Integration

Relate includes pot liners as standard, meaning the right size plans can be slotted in, accommodating a standard nursery pot up to 4.5L or 215mm, allowing the right drainage and meaning no planting onsite.



2 Lengths

Each Relate variation is available in 2 lengths. 1050 long to support 3 pots, or 1600 long incorporating 4 pots.

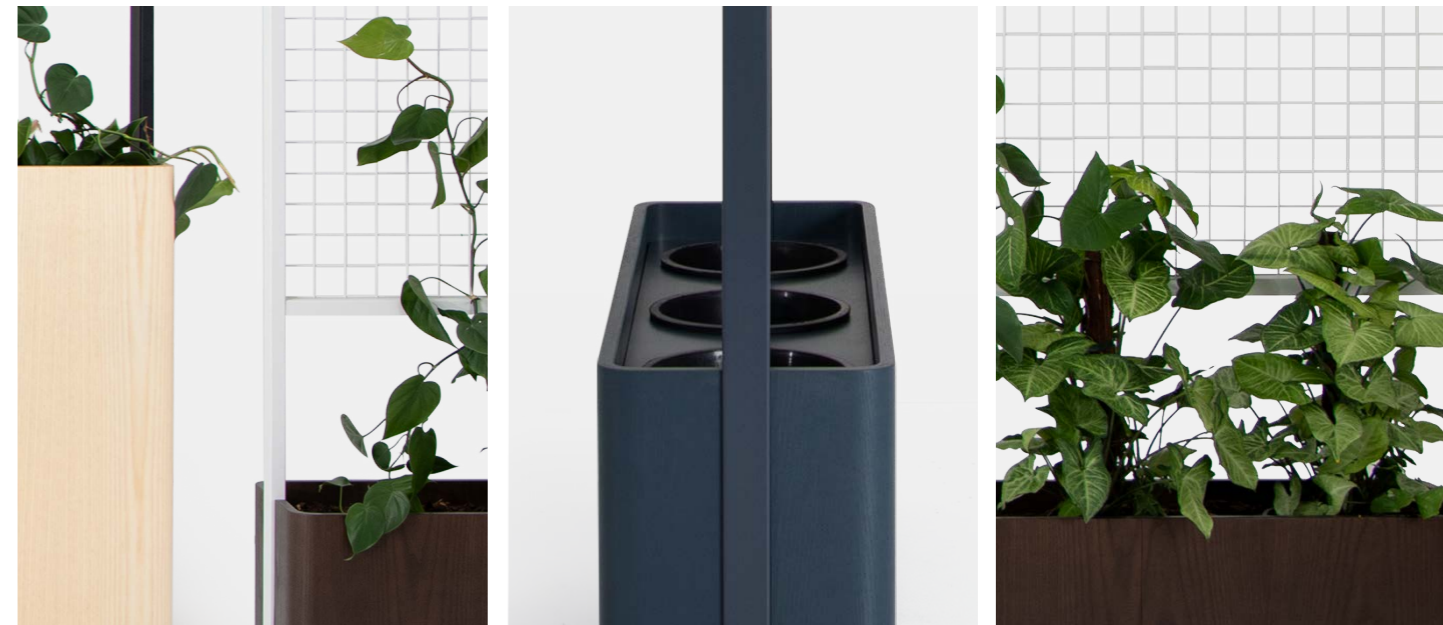
Ash Veneer Base Stained

With a curved Ash Veneer exterior, the Relate design is aesthetically softer than other planter options, and finished in your choice of stain colour.

Freestanding

Relate is a freestanding screening solution. Thanks to its pot liner design it is easier to move.

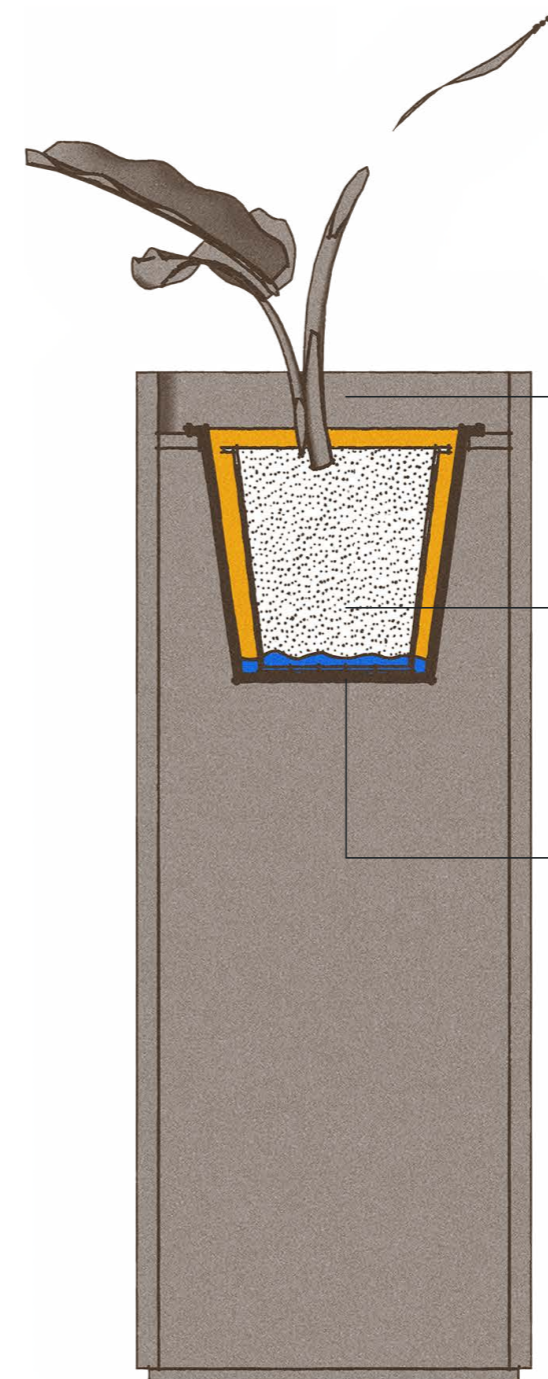
# Soft Boundaries, Strong Connections





# 2 Pot Planter System

No need for messy transplanting. Just place the standard nursery pots that your plant comes in directly into the pot liner and add topping for a fully planted look.



## Fully Planted Look

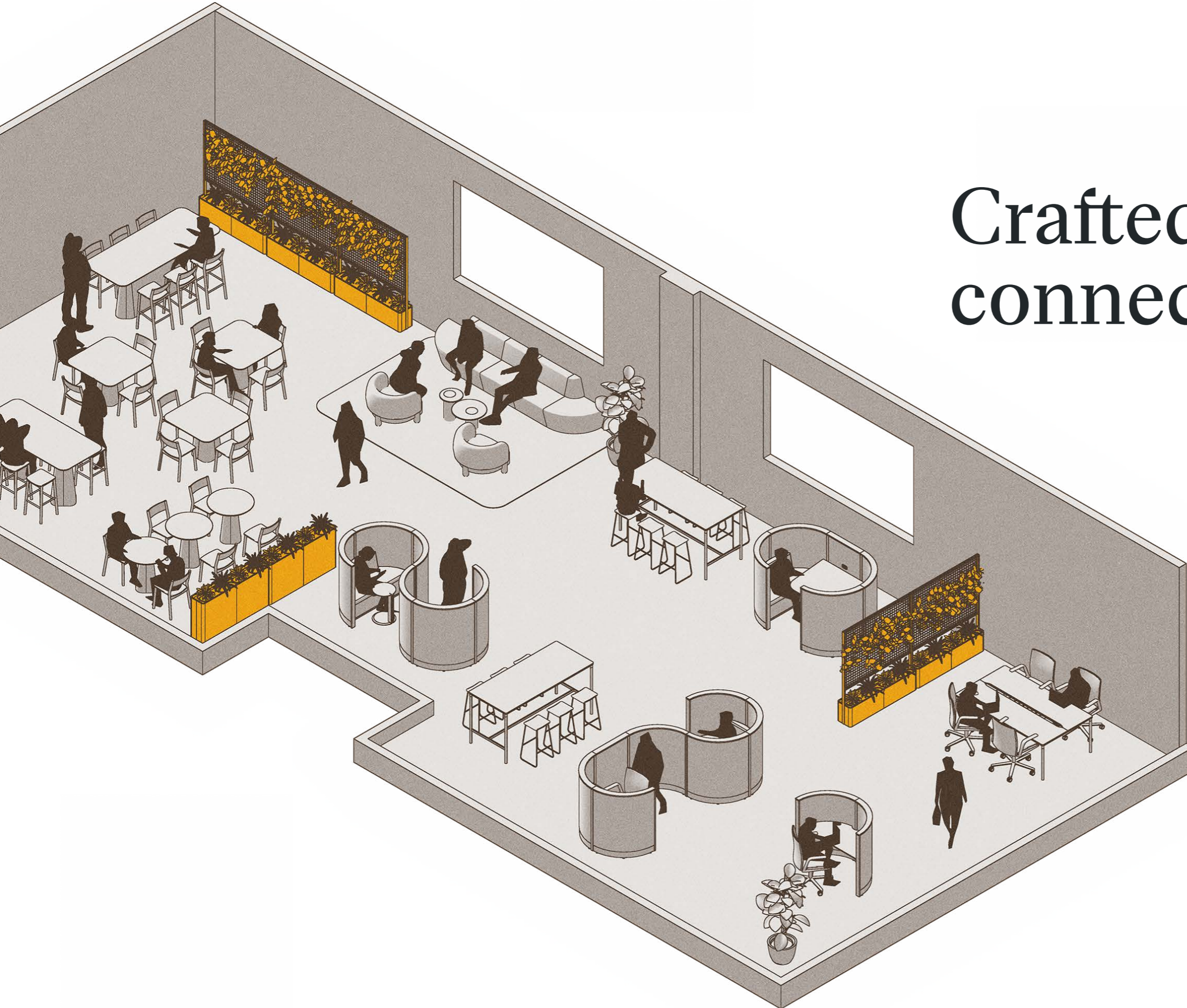
Liner pots are set down from the outside edge to allow for bark, coconut fiber or topping of choice to be laid around plants to create a fully planted look (fill not included).

## Nursery Pot

Slip standard nursery pots up to 4.5L directly into the watertight pot liner (plants and nursery pots not included).

## Pot Liner

Planters include a watertight pot liner as standard, allowing for easy watering and no drips or mess. Pot Liners have a 215mm opening, tapering to 140mm at the base, and a depth of 190mm.



# Crafted for any connection.

## Collaborate

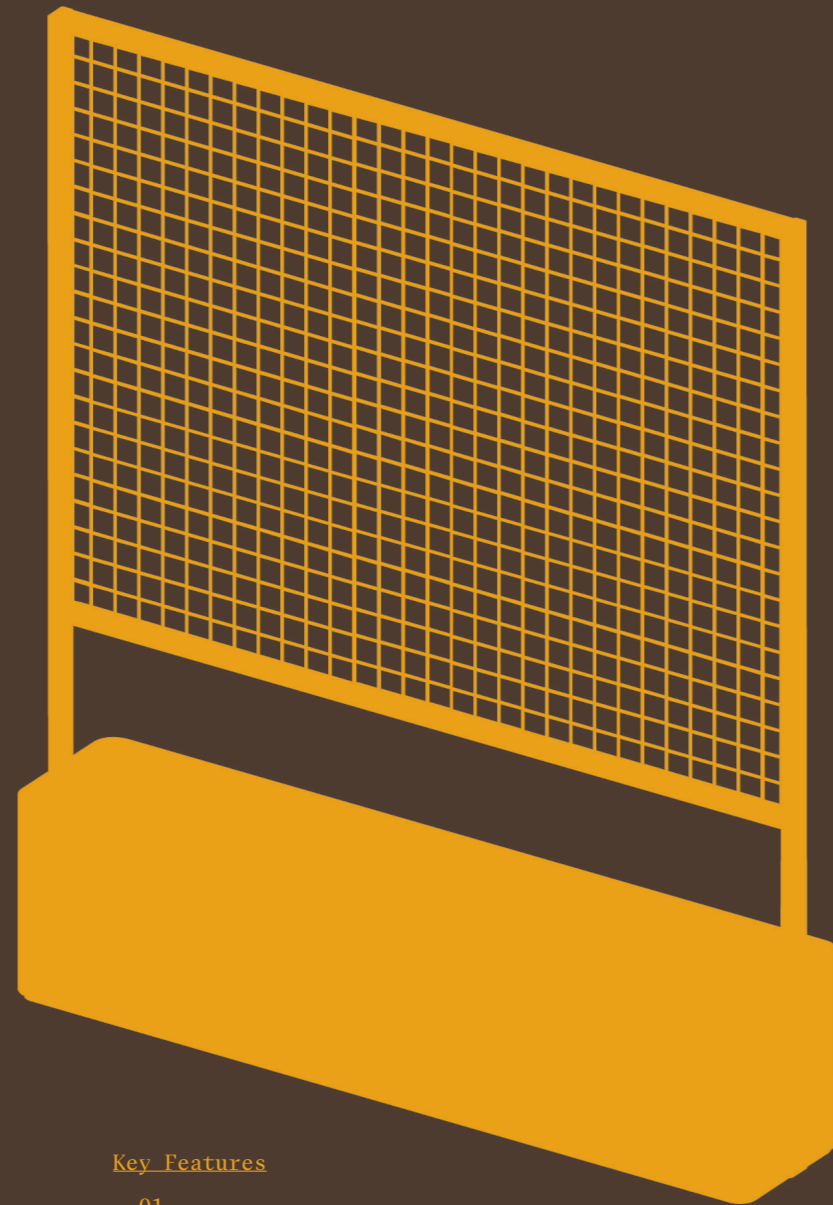
Spaces for collaboration to build community without hierarchy

## Meet

For more formal collaboration, projects and teamwork

## Social

Places to gather connect and build friendships



Key Features

- 01  
Freestanding planter
- 02  
Ready to accommodate standard pots,  
no additional planting required
- 03  
Curved timber veneer exterior
- 04  
Stained and powder coated in colour of choice
- 05  
Designed and manufactured in New Zealand

Relate



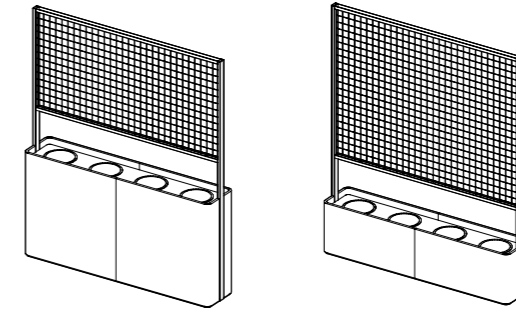
A free-standing planter system with a natural timber exterior and a simple solution for planting and maintaining pot plants. Configure multiple units alongside each other to create screening and bring biophilia into any space.

<u>Made from</u>	Moulded plywood and ash veneer base with powder coated steel frame
<u>Finishes</u>	Ash veneer stained in colour of choice Frame powder coated in colour of choice
<u>Standard Sizes</u>	Planters - 1050l x 320d x 400h or 820h 1600l x 320d x 400h or 820h  Climbing Planters - 1050l x 320d x 1900h - Planter 400h or 820h 1600l x 320d x 1900h - Planter 400h or 820h  Pot Liner - 215ø x 190h
<u>Application</u>	Indoor
<u>Warranty</u>	10 year commercial warranty
<u>Lead time</u>	Made to order - 8 to 10 weeks
<u>Origin</u>	New Zealand
<u>Designer</u>	Harrow

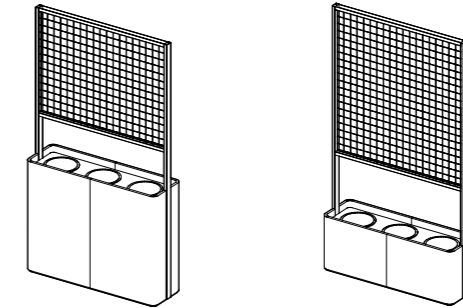


Create  
pockets of  
calm.

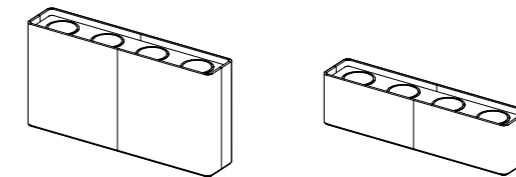
## Relate Planters



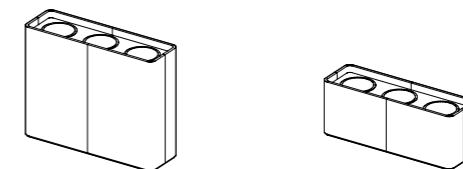
Relate Climbing Planter - 4 Pot  
1600l x 320d x 1900h - Planter 400h  
1600l x 320d x 1900h - Planter 820h



Relate Climbing Planter - 3 Pot  
1050l x 320d x 1900h - Planter 400h  
1050l x 320d x 1900h - Planter 820h



Relate Planter - 4 Pot  
1600l x 320d x 400h  
1600l x 320d x 820h



Relate Planter - 3 Pot  
1050l x 320d x 400h  
1050l x 320d x 820h

# Infinite possibilities.

Unlock a world of customisation with the Relate vast array of finishes. Rich timber stains and a world of powder coat options. The palette offers boundless options to suit every style and space.

Relate is made to order to your specification, manufactured here in New Zealand by our team of skilled craftspeople.





Life is built on the interaction of people. We fill spaces with thoughtfully crafted furniture to facilitate these interactions.

Let's talk.

[SALES@HARROWS.COM.AU](mailto:SALES@HARROWS.COM.AU)

MELBOURNE

GROUND FLOOR – 50 QUEEN STREET  
MELBOURNE CBD – VICTORIA

AUCKLAND

ORANGE CORONATION HALL  
147 NEWTON ROAD – EDEN TERRACE  
AUCKLAND – NEW ZEALAND

TIMARU

31 - 33 REDRUTH STREET  
TIMARU – NEW ZEALAND

